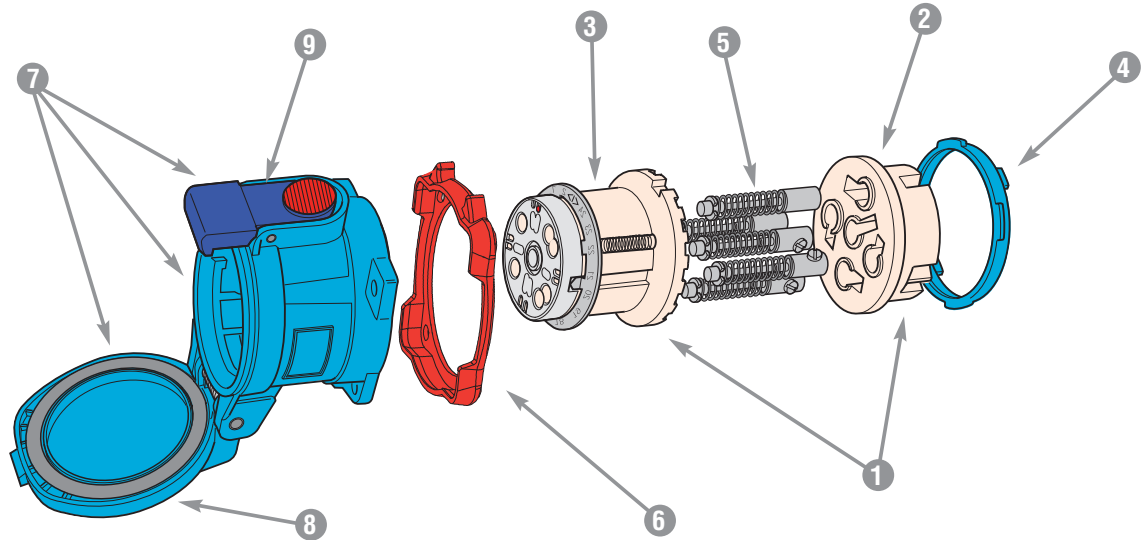


Spare Parts Female Configuration

DS



	DS20 POLY	DS30 POLY	DS60 POLY	DS60 METAL	DS100C POLY	DS100C METAL	DS100 POLY	DS100 METAL	DS200 METAL
1 = Receptacle Interior***	31-1A020*	31-3A020*	31-6A020*	31-6A020*	31-6A020-C*	31-6A020-C*	61-9A520-C7	69-9A520-C7	39-2A020*
1 = Receptacle Interior with Ground Contacts	-	-	-	39-6A220*	-	39-6A220-C*	-	69-9A220-C7*	39-2A220*
2 = Interior Bottom	31-1A020-B	31-3A020-B	31-6A020-B	31-6A020-B	31-6A020-C-B	31-6A020-C-B	61-9A552	69-9A552	39-2A020-B
3 = Interior Top	31-1A020-T*	31-3A020-T*	31-6A020-T*	31-6A020-T*	31-6A020-C-T*	31-6A020-C-T*	31-9A020-T*	39-9A020-T*	39-2A020-T*
4 = Polyester Locking Ring	31-1A583	31-3A583	31-6A583	-	31-6A583	-	31-9A583	-	-
4 = Metal Locking Ring	-	-	-	39-6A583	-	39-6A583	-	39-9A583	39-2A583
5 = Recept Phase Contact (if recp doesn't have aux. contacts)	31-1A021-380	31-3A021-380	31-6A021	31-6A021	31-6A021-C	31-6A021-C	61-9A021	61-9A021	39-2A021
5 = Recept Phase Contact (if recp has aux. contacts)	31-1A021	31-3A021-380	31-6A021	31-6A021	31-6A021-C	31-6A021-C	61-9A021	61-9A021	39-2A021
6 = Recept Ground Contact	31-1A029	31-3A029	31-6A029	39-6A029	31-6A029-C	39-6A029-C	61-9A029	69-9A029	39-2A029
6 = Color-Coded Voltage Gasket									
	208V 31-1AB26	31-3AB26	31-6AB26	31-6AB26	31-6AB26	31-6AB26	31-9AB26	31-9AB26	39-2AB26
	250V 31-1AC26	31-3AC26	31-6AC26	31-6AC26	31-6AC26	31-6AC26	31-9AC26	31-9AC26	39-2AC26
	480V 31-1AR26	31-3AR26	31-6AR26	31-6AR26	31-6AR26	31-6AR26	31-9AR26	31-9AR26	39-2AR26
	600V 31-1AN26	31-3AN26	31-6AN26	31-6AN26	31-6AN26	31-6AN26	31-9AN26	31-9AN26	39-2AN26
	125V 31-1AC26	31-3AC26	31-6AC26	31-6AC26	31-6AC26	31-6AC26	31-9AC26	31-9AC26	39-2AC26
7 = Receptacle Polyester Casing with Lid	31-1A024**	31-3A024**	31-6A024**	-	31-6A024**	-	31-9A024**	-	-
7 = Receptacle Metal Casing with Lid	-	-	-	-39-6A024**	-	39-6A024**	-	39-9A024**	39-2A024**
Ground Ring (Not Shown)	-	-	-	-39-6A523	-	39-6A523	-	39-9A523	39-2A523
8 = Lid Replacement Kit Polyester	31-1A125	31-3A125	31-6A125	-	31-6A125	-	31-9A125	-	-
8 = Lid Replacement Kit Metal	-	-	-	39-6A925	-	39-6A925	-	39-9A925	39-2A925
9 = Pawl Replacement Kit Polyester	31-1A824	31-3A824	31-6A824	-	31-6A824	-	31-9A824	-	-
9 = Pawl Replacement Kit Metal	-	-	-	39-6A824	-	39-9A824	-	39-9A824	39-2A824

* Voltage and phasing positions must be specified (5th, 6th & 7th digit of Part #) to duplicate your shutter and alignment notches.

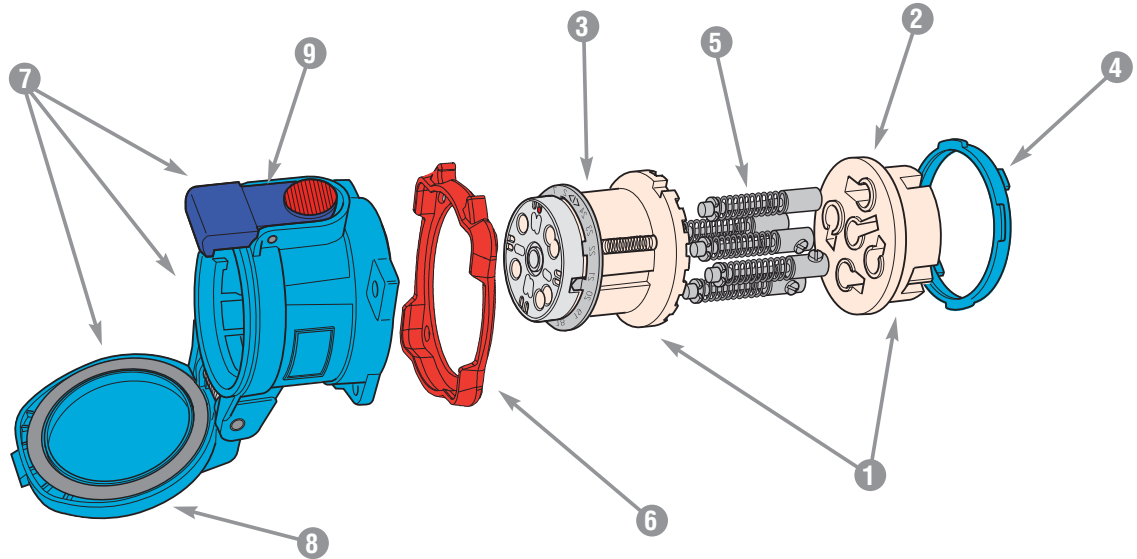
** For appropriate labeling on a device, please specify voltage, phasing, and product type.

***For interiors with pilot contacts, contact Customer Service for part numbers.

For replacement parts contact customer service at 800.433.7642

Spare Parts Female Configuration

DR



	DR30 POLY	DR50 POLY	DR100 POLY	DR100 METAL	DR150 POLY	DR150 METAL	DR250 METAL	
1 = Receptacle Interior	31-1A020*	31-3A020 *	31-6A020*	31-6A020*	31-9A020*	39-9A020*	39-2A020*	
1 = Receptacle Interior with Ground Contacts	-	-	-	39-6A220*	-	39-9A220*	39-2A220*	
2 = Interior Bottom	31-1A020-B	31-3A020-B	31-6A020-B	31-6A020-B	31-9A020-B	39-9A020-B	39-2A020-B	
3 = Interior Top	31-1A020-T*	31-3A020-T*	31-6A020-T*	31-6A020-T*	31-9A020-T*	39-9A020-T*	39-2A020-T*	
4 = Polyester Locking Ring	31-1A583	31-3A583	31-6A583	-	31-9A583	-	-	
4 = Metal Locking Ring	-	-	-	39-6A583	-	39-9A583	39-2A583	
5 = Recept Phase Contact (If recp doesn't have aux. contacts)	31-1A021-380	31-3A021-380	31-6A021	31-6A021	39-9A021	39-9A021	39-2A021	
5 = Recept Phase Contact (If recp has aux. contacts)	31-1A021	31-3A021-380	31-6A021	31-6A021	39-9A021	39-9A021	39-2A021	
5 = Recept Ground Contact	31-1A029	31-3A029	31-6A029	39-6A029	31-9A029	39-9A029	39-2A029	
6 = Color-Coded Voltage Gasket	<div style="display: flex; flex-direction: column; gap: 5px;"> <div style="background-color: #0070C0; color: white; border-radius: 5px; padding: 2px;">208V</div> <div style="background-color: #FFA500; color: white; border-radius: 5px; padding: 2px;">250V</div> <div style="background-color: #FF0000; color: white; border-radius: 5px; padding: 2px;">480V</div> <div style="background-color: #000000; color: white; border-radius: 5px; padding: 2px;">600V</div> <div style="background-color: #FFA500; color: white; border-radius: 5px; padding: 2px;">125V</div> </div>	31-1AB26	31-3AB26	31-6AB26	31-6AB26	31-9AB26	31-9AB26	39-2AB26
7 = Receptacle Polyester Casing with Lid	31-1A024**	31-3A024**	31-6A024**	-	31-9A024**	-	-	
7 = Receptacle Metal Casing with Lid	-	-	-	39-6A024**	-	39-9A024**	39-2A024**	
Ground Ring (Not Shown)	-	-	-	39-6A523	-	39-9A523	39-2A523	
8 = Lid Replacement Kit Polyester	31-1A125	31-3A125	31-6A125	-	31-9A125	-	-	
8 = Lid Replacement Kit Metal	-	-	-	39-6A925	-	39-9A925	39-2A925	
9 = Pawl Replacement Kit Polyester	31-1A824	31-3A824	31-6A824	-	31-9A824	-	-	
9 = Pawl Replacement Kit Metal	-	-	-	39-6A824	-	39-9A824	39-2A824	

* Voltage and phasing positions must be specified (5th, 6th & 7th digit of Part #) to duplicate your shutter and alignment notches.

** For appropriate labeling on a device, please specify voltage, phasing, and product type

For replacement parts call customer service at 800.433.7642